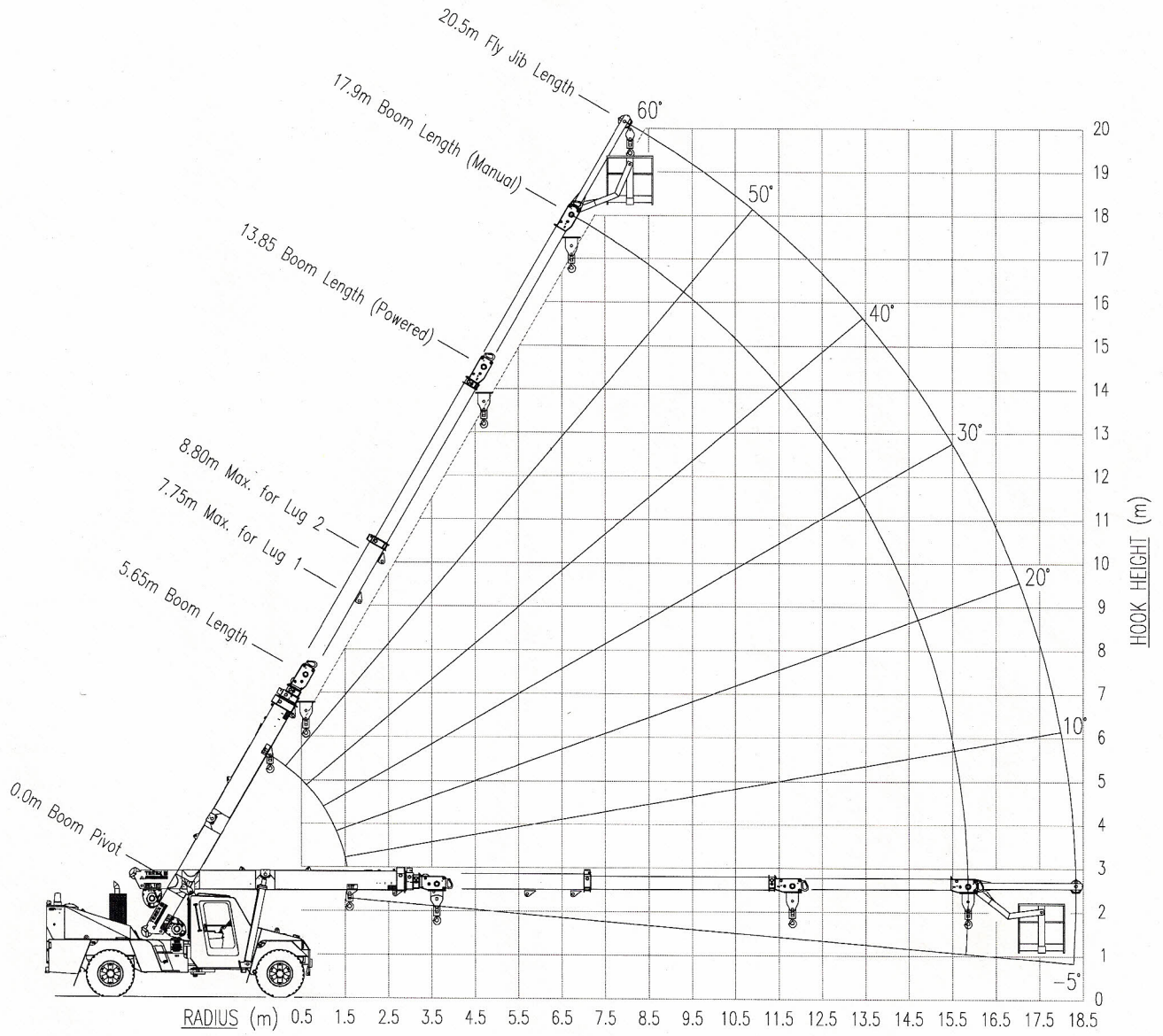


RANGE DIAGRAM AT-15 SERIES II

SHOWING ALL LIFT CONFIGURATIONS



RADIUS	BOOM LENGTH (m)																	
	5.66	6.00	6.50	7.00	7.50	8.00	8.50	9.00	9.50	10.00	10.50	11.00	11.50	12.00	12.50	13.00	13.50	13.86
1.6	10500	10500	10500	10500	10500													
	10500	10500	10500	10500	10500													
	48	50	54	57	59													
2.0	10500	10500	10500	10500	10500	10500	10500											
	10500	10500	10500	10500	10500	10500	10500											
	42	46	50	53	56	58	60											
2.5	10400	10350	10350	10350	10350	10350	10350	9950	9650									
	9250	9250	9250	9250	9250	9250	9250	9200	9200									
	34	39	44	48	51	54	56	58	60									
3.0	8500	8500	8500	8500	8500	8500	8500	8500	8500	8300	7350							
	7600	7600	7600	7600	7600	7550	7550	7550	7550	7550	7350							
	25	31	37	42	46	49	52	55	57	58	60							
3.5	7200	7200	7200	7200	7200	7200	7150	7150	7150	7150	6750	5950	5650					
	6400	6400	6400	6400	6400	6400	6400	6400	6350	6350	6350	5950	5650					
	9	20	30	36	41	45	48	51	53	55	57	59	60					
4.0	6950	6250	6200	6200	6200	6200	6200	6200	6150	6150	5500	5500	5250	5000	4800			
	6150	5550	5500	5500	5500	5500	5500	5500	5500	5500	5500	5450	5250	5000	4800			
	(3.61)	(3.95)	20	28	35	39	43	46	49	52	54	56	57	59	60			
4.5			5450	5400	5400	5400	5400	5400	5400	5400	5400	5150	4900	4650	4500	4300	4150	
			4850	4800	4800	4800	4800	4800	4800	4800	4800	4800	4800	4650	4500	4300	4150	
			(4.45)	19	28	34	38	42	45	48	50	52	54	56	57	59	60	
5.0				4850	4800	4800	4800	4800	4800	4800	4800	4800	4550	4350	4200	4050	3900	3800
				4300	4250	4250	4250	4250	4250	4250	4250	4250	4250	4200	4200	4050	3900	3800
				(4.95)	18	27	33	37	41	44	47	49	51	53	55	56	58	59
6.0				4300	3900	3850	3850	3850	3850	3850	3850	3850	3850	3850	3700	3550	3300	3200
				3800	3450	3400	3400	3400	3400	3400	3400	3400	3400	3400	3400	3400	3300	3200
				(5.45)	(5.95)	17	25	31	35	39	42	45	47	49	51	52	54	
7.0						3550	3200	3200	3200	3200	3200	3200	3200	3200	3200	3050	2950	2850
						3100	2800	2800	2800	2800	2800	2800	2800	2800	2800	2800	2800	2800
						(6.45)	(6.95)	16	24	29	34	37	40	43	45	47	48	
8.0								2950	2700	2700	2700	2700	2700	2700	2700	2700	2650	2600
								2600	2350	2350	2350	2350	2350	2350	2350	2350	2350	2350
								(7.45)	(7.95)	16	23	28	32	36	38	41	43	
9.0										2500	2300	2300	2300	2300	2300	2300	2300	2300
										2200	2000	2000	2000	2000	2000	2000	2000	2000
										(8.45)	(8.95)	15	22	27	31	34	36	
10.0												2150	2000	2000	2000	2000	2000	2000
												1850	1750	1750	1750	1750	1750	1750
												(9.45)	(9.95)	14	21	26	29	
11.0														1900	1750	1750	1750	1750
														1600	1500	1500	1500	1500
														(10.45)	(10.95)	14	19	
11.81																1650	1550	1550
																1400	1350	1350
																(11.45)	(11.81)	

RC (KG) LESS THAN 10 DEG ARTICULATION
 RC (KG) GREATER THAN 10 DEG ARTICULATION
 BOOM ANGLE OR (RADIUS AT 0 DEG BOOM ANGLE)

Weight of slings & hook block to be added to load
 Read and understand warning notes before operating crane
 Loads above bold red line are structural

LMI Duty
 Lifting on WINCH
 01

C1406-3-3

DESIGN ACCEPTED
 DATE
 RECEIVED
 1 SEP 2019
 66618 J-2

LMI Duty
Lifting on WINCH
MANUAL EXTENDED

03

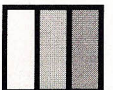
	RC (KG) LESS THAN 10 DEG ARTICULATION
	RC (KG) GREATER THAN 10 DEG ARTICULATION
	BOOM ANGLE

Weight of slings & hook block to be added to load
Read and understand warning notes before operating crane
Loads above bold red line are structural

MANUAL EXT'N	
MAX LENGTH 17.91	
MAX RADIUS	RC
6.72	1850
	1850
	60
9.29	1600
	1600
	50
11.53	1300
	1300
	40
13.35	1150
	1150
	30
14.70	1050
	1050
	20
15.54	1050
	950
	10
15.86	1050
	950
	0

NOTE :
 17.9m Boom length includes Manual 3rd extension.
 Ratings for Manual extension are structural & based on Boom Angle, not radius. The ratings do not change if the power sections are retracted with the manual extended.

RADIUS	BOOM LENGTH (m)																	
	5.95	6.50	7.00	7.50	8.00	8.50	9.00	9.50	10.00	10.50	11.00	11.50	12.00	12.50	13.00	13.50	14.00	14.15
1.6	8000	8000	8000	8000														
	8000	8000	8000	8000														
	50	54	57	59														
2.0	8000	8000	8000	8000	8000	8000												
	8000	8000	8000	8000	8000	8000												
	45	50	53	56	58	60												
2.5	8000	8000	8000	8000	8000	8000	8000	8000										
	8000	8000	8000	8000	8000	8000	8000	8000										
	38	44	48	51	54	56	58	60										
3.0	7750	8000	8000	8000	8000	8000	8000	8000	8000	7950								
	7650	7650	7650	7650	7600	7600	7600	7600	7600	7600								
	30	37	42	46	49	52	55	57	59	60								
3.5	7250	7250	7250	7250	7200	7200	7200	7200	7200	7200	6300	5700						
	6450	6450	6450	6450	6450	6450	6400	6400	6400	6400	6300	5700						
	19	30	36	41	45	48	51	53	55	57	59	60						
4.0	6400	6250	6250	6250	6250	6250	6200	6200	6200	6200	5850	5300	5050	4850				
	5700	5550	5550	5550	5550	5550	5550	5500	5500	5500	5500	5300	5050	4850				
	(3.90)	20	29	35	39	43	46	49	52	54	56	57	59	60				
4.5		5500	5450	5450	5450	5450	5450	5450	5450	5450	5450	4950	4700	4550	4350	4200		
		4900	4850	4850	4850	4850	4850	4850	4800	4800	4800	4800	4700	4550	4350	4200		
		(4.45)	19	28	34	38	42	45	48	50	52	54	56	57	59	60		
5.0			4900	4850	4850	4850	4850	4850	4800	4800	4800	4600	4400	4250	4100	3950	3800	3750
			4300	4300	4300	4300	4300	4300	4250	4250	4250	4250	4250	4250	4100	3950	3800	3750
			(4.95)	19	27	33	37	41	44	47	49	51	53	55	56	58	59	59
6.0				4350	3950	3900	3900	3900	3900	3900	3900	3900	3900	3750	3600	3500	3200	3200
				3850	3450	3450	3450	3450	3450	3450	3450	3400	3400	3400	3400	3400	3200	3200
				(5.45)	(5.95)	17	25	31	35	39	42	45	47	49	51	53	54	55
7.0						3550	3250	3250	3250	3250	3250	3200	3200	3100	3000	2900	2850	2850
						3150	2850	2850	2850	2850	2850	2850	2850	2800	2800	2800	2800	2800
						(6.45)	(6.95)	17	24	29	34	37	40	43	45	47	49	49
8.0								3000	2750	2750	2750	2750	2750	2700	2700	2700	2600	2550
								2600	2400	2400	2400	2400	2400	2400	2400	2350	2350	2350
								(7.45)	(7.95)	16	23	28	32	36	38	41	43	44
9.0										2550	2350	2350	2350	2350	2350	2350	2350	2350
										2200	2050	2050	2050	2050	2050	2050	2050	2050
										(8.45)	(8.95)	15	22	27	31	34	37	38
10.0												2200	2050	2050	2050	2050	2000	2000
												1900	1750	1750	1750	1750	1750	1750
												(9.45)	(9.95)	15	21	26	30	31
11.0														1900	1800	1750	1750	1750
														1650	1500	1500	1500	1500
														(10.45)	(10.95)	14	20	22
12.00																1650	1550	1550
																1400	1350	1300
																(11.45)	(11.95)	(12.00)



RC (KG) LESS THAN 10 DEG ARTICULATION
 RC (KG) GREATER THAN 10 DEG ARTICULATION
 BOOM ANGLE OR (RADIUS AT 0 DEG BOOM ANGLE)

NOTE: When using the rhino hook, ensure the winch rope is fully tensioned.

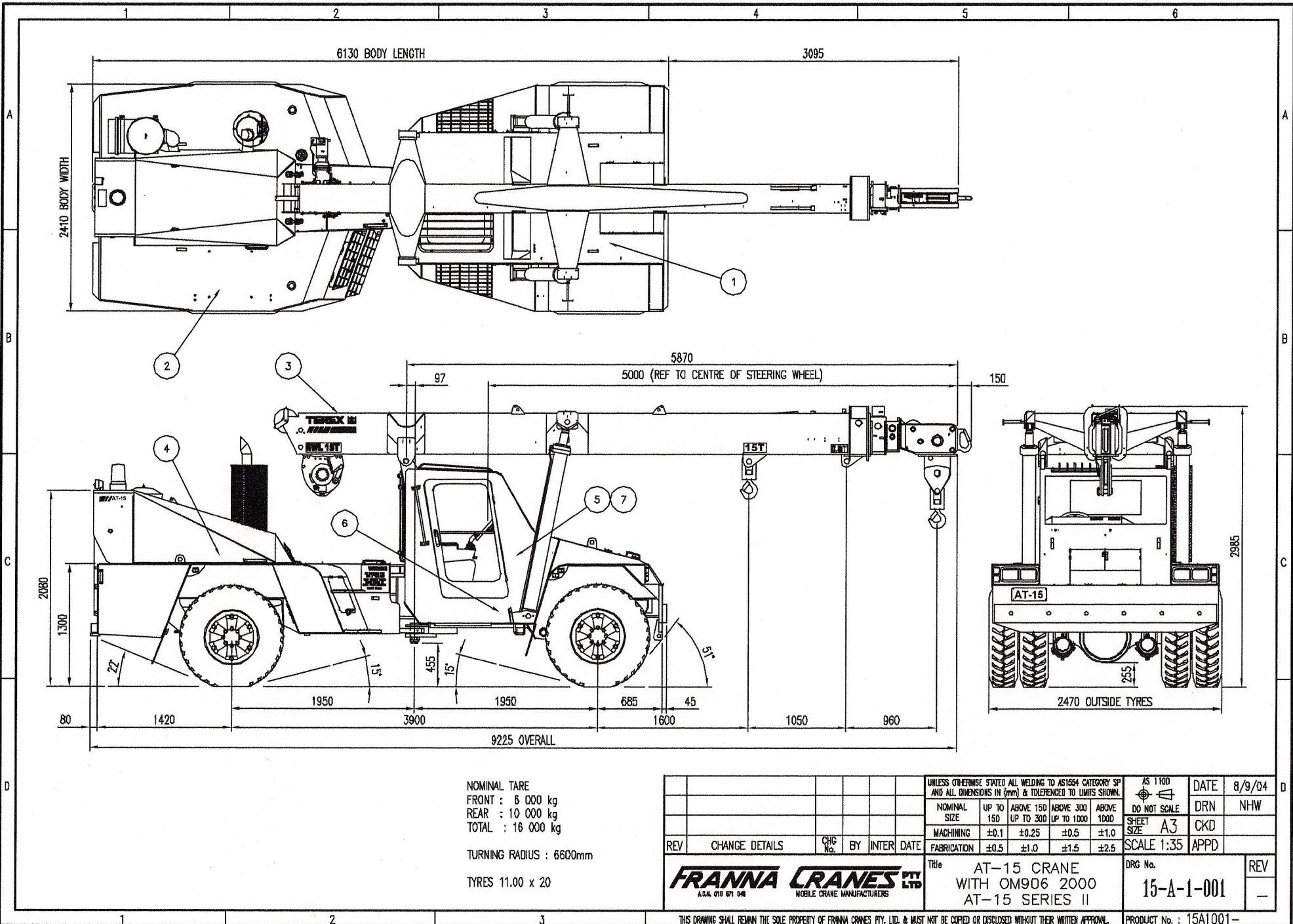
Weight of slings & hook block to be added to load
 Read and understand warning notes before operating crane
 Loads above bold red line are structural

Lifting on RHINO HOOK

LMI Duty

02

C1406-3-5



NOMINAL TARE
 FRONT : 6 000 kg
 REAR : 10 000 kg
 TOTAL : 16 000 kg

TURNING RADIUS : 6600mm

TYRES 11.00 x 20

REV	CHANGE DETAILS	CHG No.	BY	INTER	DATE

FRANNA CRANES PTY LTD
AGAL 010 071 041
 MOBILE CRANE MANUFACTURERS

UNLESS OTHERWISE STATED ALL WELDING TO AS1554 CATEGORY SF AND ALL DIMENSIONS IN (mm) & TOLERANCES TO LIMITS SHOWN.				
NOMINAL SIZE	UP TO 150	ABOVE 150 UP TO 300	ABOVE 300 UP TO 1000	ABOVE 1000
MACHINING	±0.1	±0.25	±0.5	±1.0
FABRICATION	±0.5	±1.0	±1.5	±2.5

Title AT-15 CRANE WITH OM906 2000 AT-15 SERIES II

AS 1100	DATE	8/9/04
DO NOT SCALE	DRN	NHW
SHEET SIZE	CKD	
SCALE 1:35	APPD	
DRG No.	REV	
15-A-1-001	-	

THIS DRAWING SHALL REMAIN THE SOLE PROPERTY OF FRANNA CRANES PTY. LTD. & MUST NOT BE COPIED OR DISCLOSED WITHOUT THEIR WRITTEN APPROVAL.

PRODUCT No. : 15A1001-